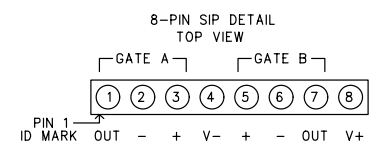
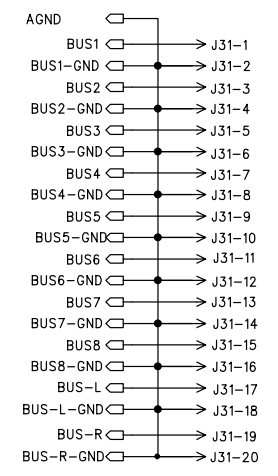
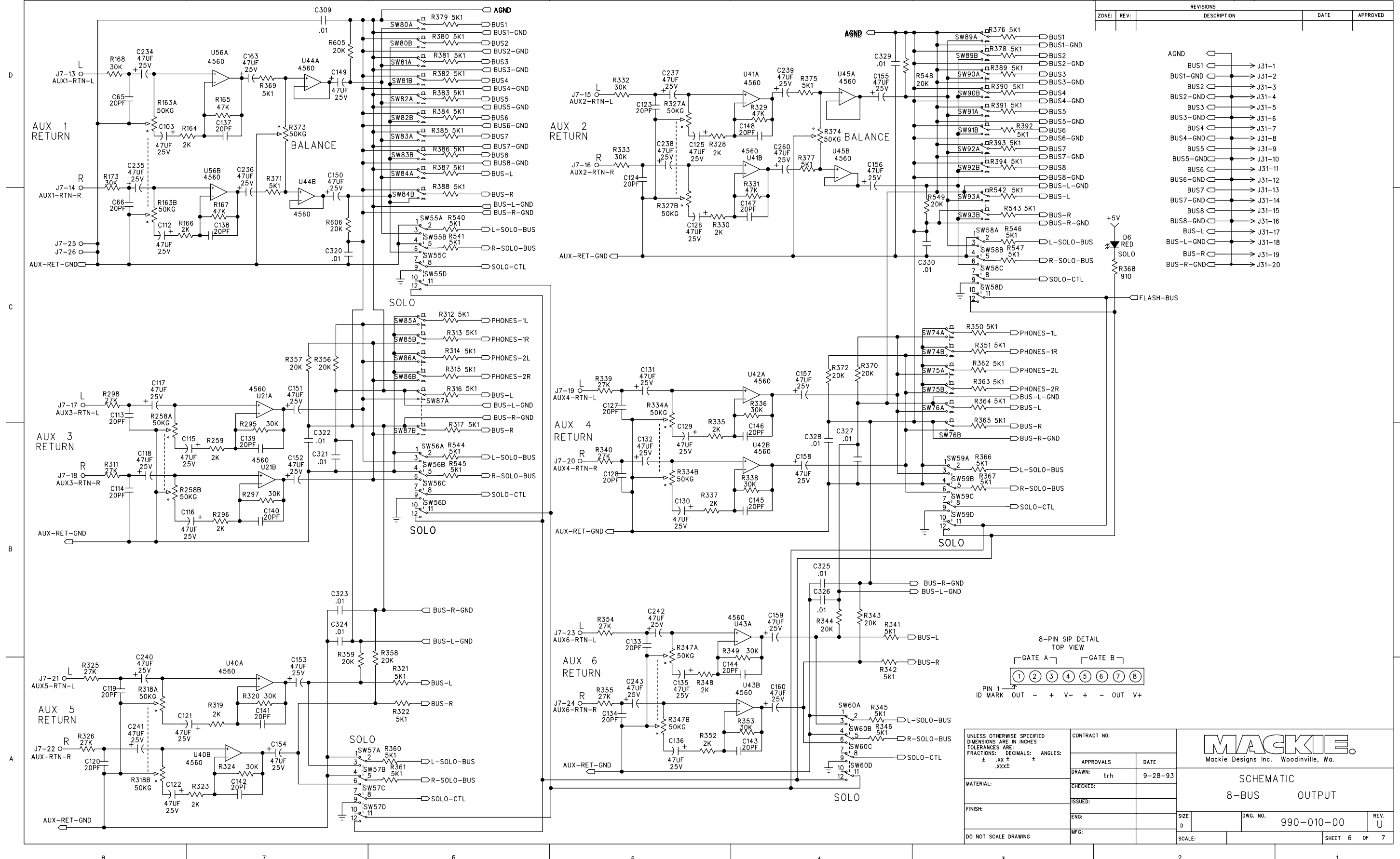
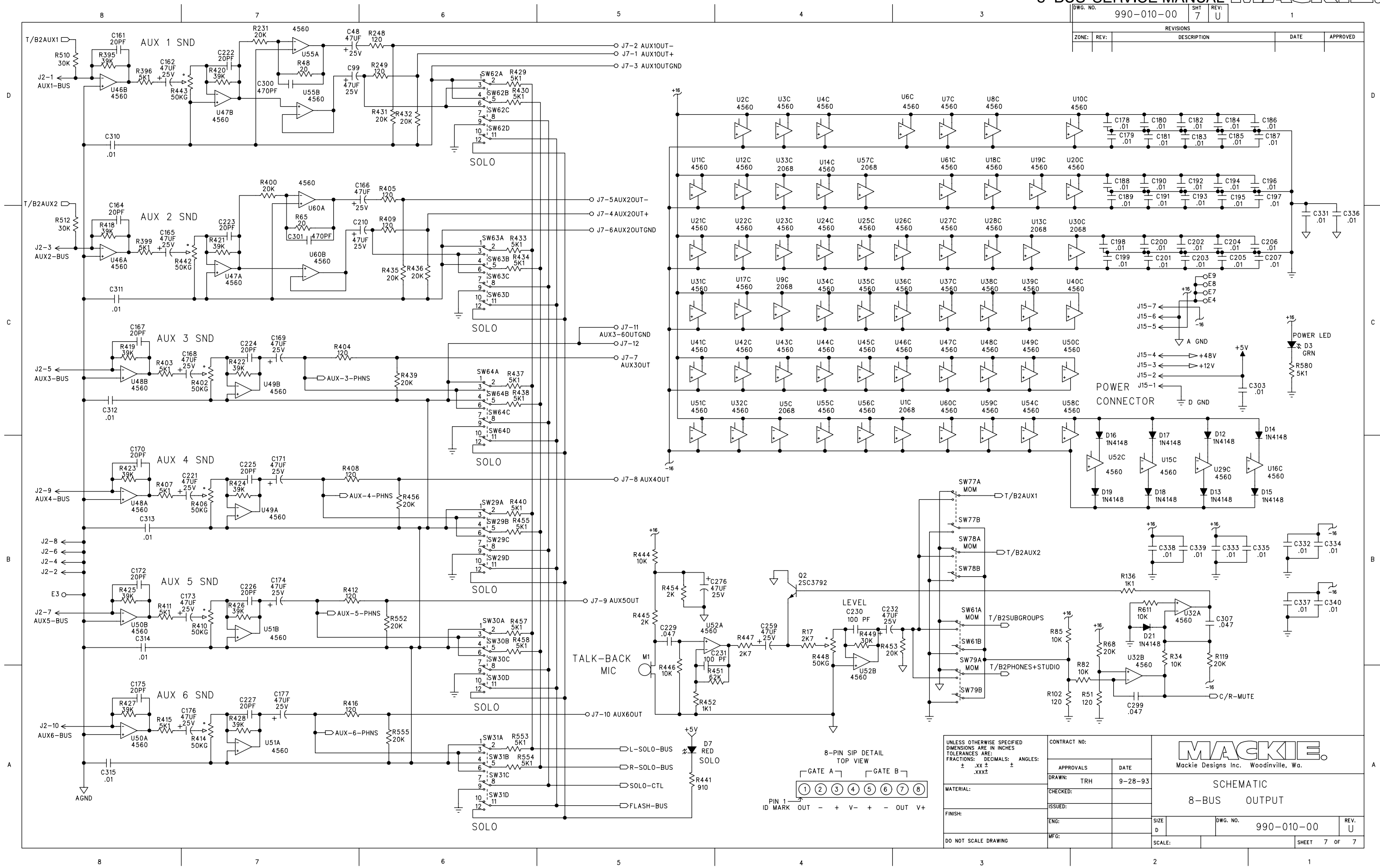


REVISIONS				
ZONE:	REV:	DESCRIPTION	DATE	APPROVED



UNLESS OTHERWISE SPECIFIED DIMENSIONS ARE IN INCHES TOLERANCES ARE: FRACTIONS: DECIMALS: ANGLES: ± .xx ± .xxx ±	CONTRACT NO:		Mackie Designs Inc. Woodinville, Wa.		
	APPROVALS	DATE			
	MATERIAL:	CHECKED: trh	9-28-93	SCHEMATIC 8-BUS OUTPUT	
	FINISH:	ISSUED:	ENG:		
DO NOT SCALE DRAWING	MFG:	SIZE D	DWG. NO. 990-010-00	REV. U	
SCALE:			SHEET 6 OF 7		

REVISIONS		DATE	APPROVED
ZONE:	REV:	DESCRIPTION	

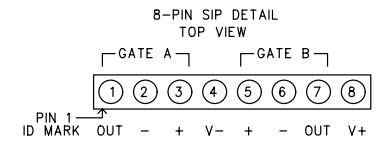
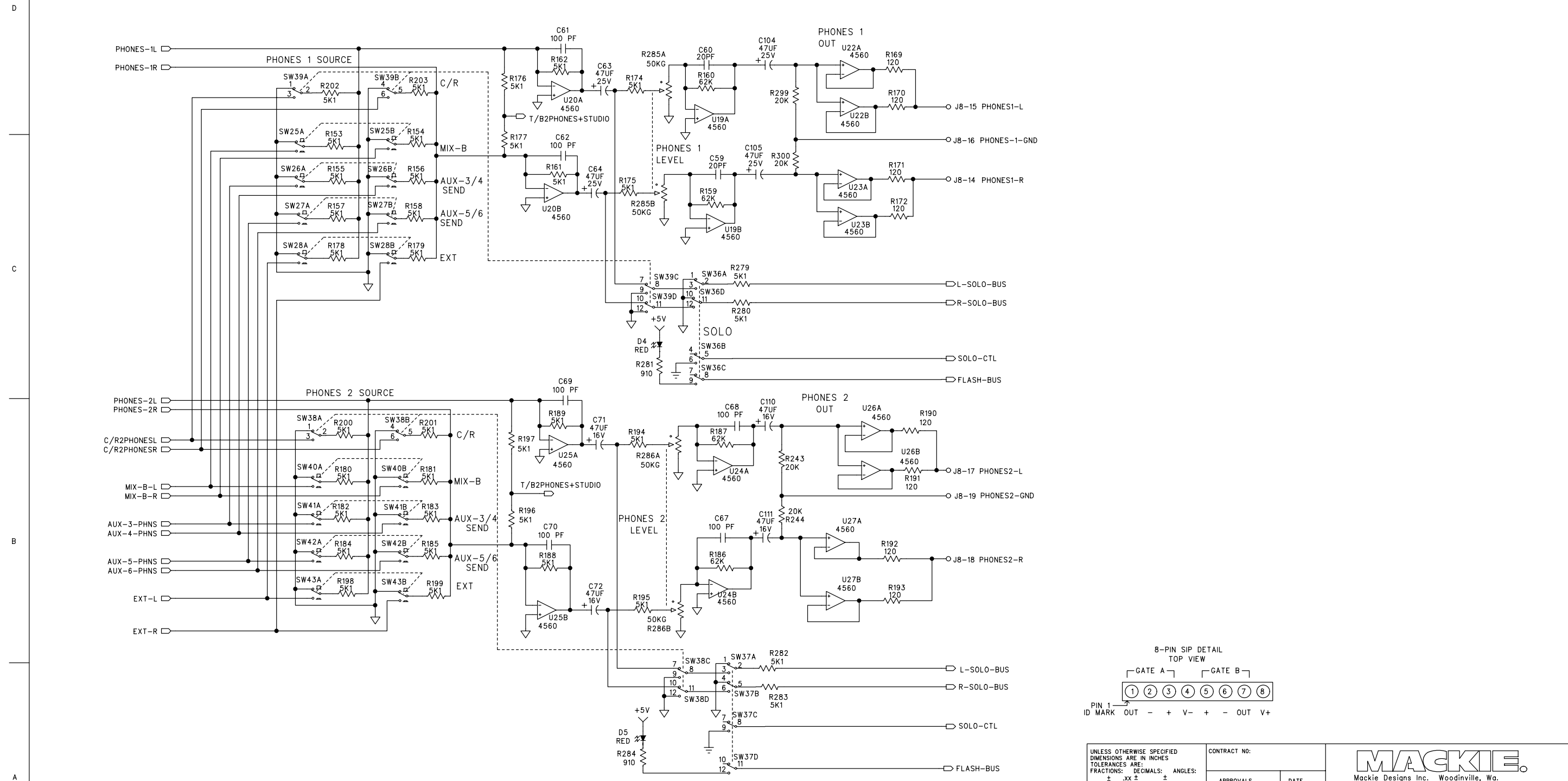


UNLESS OTHERWISE SPECIFIED DIMENSIONS ARE IN INCHES TOLERANCES ARE: FRACTIONS: DECIMALS: ANGLES: ±.xx ±.xxx±

CONTRACT NO:	
APPROVALS:	DATE:
DRAWN: TRH	9-28-93
CHECKED:	
ISSUED:	
ENG:	
MFG:	
DO NOT SCALE DRAWING	

MACKIE Mackie Designs Inc. Woodville, Wa.		SCHEMATIC	
		8-BUS OUTPUT	
SIZE	DWG. NO.	REV.	
	990-010-00	U	
SCALE:	SHEET 7 OF 7		

REVISIONS		DATE	APPROVED
ZONE:	REV:	DESCRIPTION	



UNLESS OTHERWISE SPECIFIED DIMENSIONS ARE IN INCHES TOLERANCES ARE: FRACTIONS: .xx ± DECIMALS: .xxx ±	CONTRACT NO:		 Mackie Designs Inc. Woodinville, Wa.		
	APPROVALS	DATE			
MATERIAL:	DRAWN: trh	9-28-93	SCHEMATIC 8-BUS OUTPUT		
FINISH:	CHECKED:	ISSUED:			
DO NOT SCALE DRAWING	ENG:	MFG:	SIZE D	DWG. NO. 990-010-00	REV. U
			SCALE:	SHEET 4 OF 7	